

## Avide GU10 Frame Round White

**Product code:** ABGU10F-N-W  
**Brand link:** [avidelighting.com/qr/ABGU10F-N-W](http://avidelighting.com/qr/ABGU10F-N-W)  
**ID:** AB-190518  
**Company name:** Bramcke Hungary Kft.  
**Company address:** Kishatár utca 17., 4031 Debrecen



**Date of issue:** 2024-10-03

**Page:** 1/3

### SPECIFICATIONS

**EAN code:** 5999097911342  
**Warranty:** 2year(s)  
**Socket:** GU10  
**Color:** White  
**Material:** Metal  
**Working temperature:**  
**Packaging:** 1/b 100/c 3000/p  
**Certifications:** CE

### BOX PICTURE



### TECHNICAL DETAILS

**Wattage:**  
**Voltage range:** 220-240V  
**Inner diameter:** 55mm  
**Cut out size:** 55mm  
**Swivel:** No  
**IP standard:** IP20

## Avide GU10 Frame Round White

**Product code:** ABGU10F-N-W  
**Brand link:** [avidelighting.com/qr/ABGU10F-N-W](https://avidelighting.com/qr/ABGU10F-N-W)  
**ID:** AB-190518  
**Company name:** Bramcke Hungary Kft.  
**Company address:** Kishatár utca 17., 4031 Debrecen



**Date of issue:** 2024-10-03

**Page:** 2/3

### PRODUCT SIZE

**Diameter:**  
**Height:** 31mm

### CARDBOARD BOX

**EAN:** 5999097911342  
**Packaging:**  
**Dimensions:** 83mm x 83mm x 35mm  
**Net weight:** 42.4g  
**Gross weight:** 58.9g

### CARTON

**EAN:** 5999097911359  
**Packaging:** 1/b 100/c 3000/p  
**Dimensions:** 435mm x 215mm x 350mm  
**Net weight:** 4.24kg  
**Gross weight:** 5.89kg

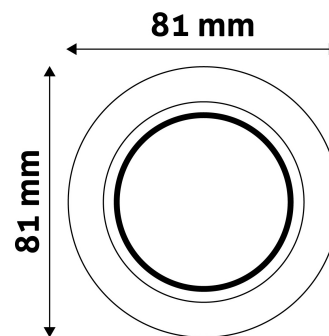
### PALLET EXAMPLE

**Height:**  
**Width:** 120cm (std Euro pallet)  
**Depth:** 80cm (std Euro pallet)  
**Cartons per pallet:** 30carton/pallet  
**Cartons per row:**  
**Net weight:** 127.2kg  
**Gross weight:** 176.7kg

### PRODUCT PICTURE



### PRODUCT OUTLINE



## Avide GU10 Frame Round White

**Product code:** ABGU10F-N-W  
**Brand link:** [avidelighting.com/qr/ABGU10F-N-W](https://avidelighting.com/qr/ABGU10F-N-W)  
**ID:** AB-190518  
**Company name:** Bramcke Hungary Kft.  
**Company address:** Kishatár utca 17., 4031 Debrecen

QR code:



**Date of issue:** 2024-10-03

**Page:** 3/3

## PRODUCT DESCRIPTION